



E900 M

The high output of this stove makes it the ideal solution for heating large spaces. The practical oven ensures excellent cooking results.



Terra
d'Oriente



Bianco
Antico



Rosso



GENERAL TECHNICAL CHARACTERISTICS

Heating by natural heat transfer

Radiant, conduction
and natural convection

Heating with Multifuoco System®

Optional four speed forced ventilation
kit with remote control.

Warm air ducting up to 10 m

Structure

Steel body stove with door,
grate and firebox in cast iron

Majolica cladding

Unique large hand-made pieces

Oven

Interior in stainless steel with valve for
cooking steam, grid and thermometer

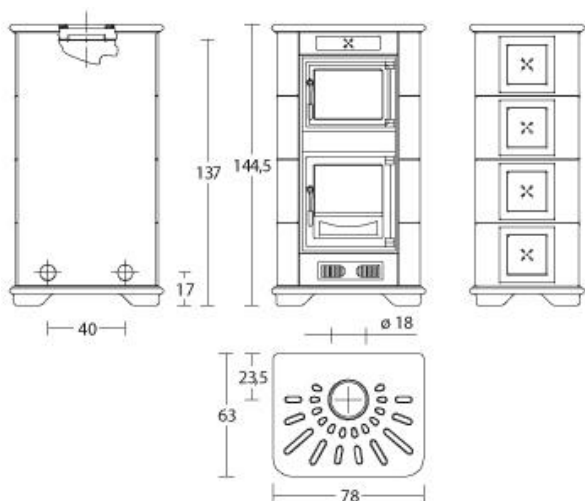
Air Glass System

Self-cleaning ventilated ceramic glass
heat resistant up to 750°C

Easy Cleaning

Maintenance couldn't be easier,
removable ash drawer

TECHNICAL DRAWING



TECHNICAL DATA

Room heating capacity (min - max)	m ³	220 - 375
Nominal thermal efficiency	%	79,0
Rated heat output	kW	13,0
Consumption at rated heat output	Kg/h	3,9
Maximum heat output	kW	13,0
Maximum consumption		3,9
Dimensions WxDxH	cm	78 x 63 x 144,5
Cladding		maiolica
Front		maiolica
Firebox		acciaio
Primary and secondary air		regolabile
Air combustion kit		
Firebox		ghisa
Brazier		ghisa
Flue outlet Ø	cm	18 superiore
Ash drawer		estraibile
Door		ghisa
Ceramic glass		resistente a 750°C autopulente
Door handle		ottone
Wellness -umidifier in stainless steel		no
Oven in stainless steel (LxWxH)	cm	41 x 40 x 31
Multifuoco System®		optional
Front air vents-orientable		si - si
Forced Convection kit		
Total weight	Kg	300

The availability of models may vary from Country to Country.



IMPORT
BENELUX