



E904 M

Elegant decorations embellish the traditional lines of this compact stove, which is ideal for classic surroundings.



Terra
d'Oriente



Blu
Genziana



Sale Pepe



Verde



Bordeaux



GENERAL TECHNICAL CHARACTERISTICS

Natural heating distribution

Radiant, conduction and natural convection heating

Heating with Multifuoco System®

Optional four speed forced ventilation kit with remote control.

Warm air ducting up to 10 m

Structure

Body stove with door, grate and firebox in cast iron

Majolica cladding

Unique large hand-made pieces

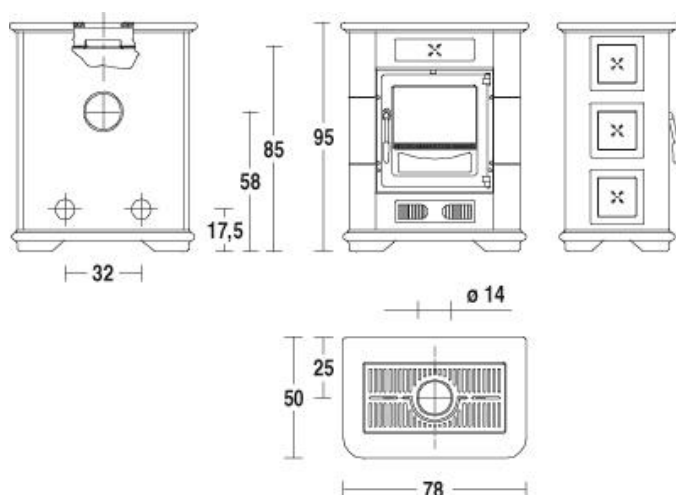
Air Glass System

Self-cleaning ceramic glass resistant up to 750°C

Easy Cleaning

Quick and easy maintenance, removable ash drawer

TECHNICAL DRAWING



TECHNICAL DATA

Room heating capacity (min-max)	m ³	160 - 275
Nominal thermal efficiency	%	80,5
Rated heat output	kW	9,5
Consumption at rated heat output	Kg/h	2,6
Maximum heat output	kW	10,0
Maximum consumption		3,5
Dimensions WxDxH	cm	78 x 50 x 95
Cladding		maiolica
Front		maiolica
Firebox		ghisa
Primary and secondary air		regolabile
Air combustion kit		
Firebox		ghisa
Brazier		ghisa
Flue outlet Ø	cm	15 superiore o posteriore
Ash drawer		estraibile
Door		ghisa
Ceramic glass		resistente a 750°C autopulente
Door handle		ottone
Wellness -umidifier in stainless steel		no
Oven in stainless steel (LxWxH)	cm	
Multifuoco System®		optional
Front air vents-orientable		si - si
Forced Convection kit		
Total weight	Kg	170

The availability of models may vary from Country to Country.



IMPORT
BENELUX