



## E926

The traditional charm of majolica combined with a new striking design.



Terra  
d'Oriente



Bianco  
Antico



Bordeaux



### GENERAL TECHNICAL CHARACTERISTICS

#### Natural heating distribution

Radiant, conduction and natural convection heating

#### Heating with Multifuoco System®

Optional four speed forced ventilation kit with remote control.

Warm air ducting up to 10 m

#### Structure

Enamelled steel with door and grate in cast iron, firebox in Aluker®

#### Combustion air kit

Optional system to optimize combustion and stove efficiency, taking in fresh air from outside the dwelling

#### Majolica cladding

Unique large hand-made pieces

#### Air Glass System

Self-cleaning ceramic glass resistant up to 750°C

#### Easy Cleaning

Quick and easy maintenance, removable ash drawer

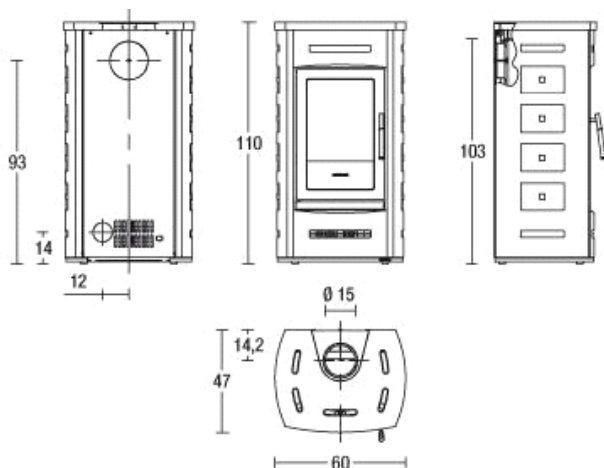
#### Safety devices

Self closing door.  
Steel handle with silicon sleeve

#### Wellness

Humidifier with aroma diffuser

### TECHNICAL DRAWING



### TECHNICAL DATA

Room heating capacity (min - max)	m <sup>3</sup>	135 - 230
Nominal thermal efficiency	%	80,8
Rated heat output	kW	8,0
Consumption at rated heat output	Kg/h	2,0
Maximum heat output	kW	10,0
Maximum consumption		2,9
Dimensions WxDxH	cm	60 x 47 x 110
Cladding		maiolica
Front		maiolica
Firebox		acciaio
Primary and secondary air		regolabile più terziaria predeterminata
Air combustion kit		optional
Firebox		Aluker
Brazier		ghisa
Flue outlet Ø	cm	15 superiore o posteriore
Ash drawer		estraibile
Door		ghisa
Ceramic glass		resistente a 750°C autopulente
Door handle		acciaio e impugnatura in materiale siliconico
Wellness -umidifier in stainless steel		si
Oven in stainless steel (LxWxH)	cm	
Multifuoco System®		optional
Front air vents-orientable		si - no
Forced Convection kit		
Total weight	Kg	200

The availability of models may vary from Country to Country.

