

Copyright c. 2010. Tutti i diritti sulle immagini ed i testi sono riservati. Sono vietate la riproduzione e diffusione, anche parziale, in qualsiasi forma, delle fotografie e dei testi. I trasgressori saranno perseguiti a norma di legge. Tutti i prodotti illustrati costituiscono creazione di proprietà della società Gruppo Piazzetta SpA. Ogni diritto di sfruttamento dei modelli è riservato. Il marchio/ed i segni distintivi della società sono di proprietà esclusiva della società.



E927 M

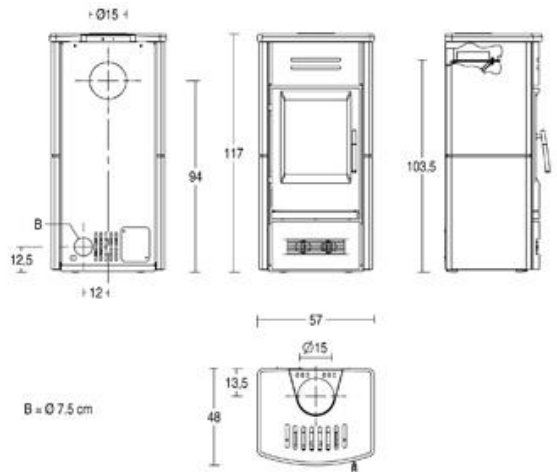
Fine hand-made majolica cladding and clear-cut surfaces frame and embellish the fire



GENERAL TECHNICAL CHARACTERISTICS

- Natural heating distribution**
Radiant, conduction and natural convection heating
- Multifuoco System Plus**
Optional forced ventilation kit with four electronic controlled power levels and LCD remote control.
Warm air ducting up to 10 m
- Multifuoco System®**
Optional four speed forced ventilation kit with remote control.
Warm air ducting up to 10 m
- Tertiary air system**
Better performances. The preheated tertiary air system fully optimizes combustion and ensures high efficiency with low emission into the atmosphere.
- Structure**
Enamelled steel with door and grate in cast iron, firebox in Aluker®
- Majolica cladding**
Unique large hand-made pieces
- Air Glass System**
Self-cleaning ceramic glass resistant up to 750°C
- Easy Cleaning**
Quick and easy maintenance, removable ash drawer
- Wellness**
Humidifier with aroma diffuser

TECHNICAL DRAWING



TECHNICAL DATA

Room heating capacity (min-max)	m ³	140 - 235
Nominal thermal efficiency	%	80,8
Rated heat output	kW	8,2
Consumption at rated heat output	Kg/h	2,0
Maximum heat output	kW	10,0
Maximum consumption		2,9
Dimensions WxDxH	cm	57,4x46x117
Cladding		majolica
Front		steel
Firebox		enamelled steel
Primary and secondary air		adjustable
Tertiary air		predetermined and pre-heated
Air combustion kit		optional
Firebox		Aluker®
Brazier		cast iron
Flue outlet Ø	cm	15. top or rear
Ash drawer		removable
Door		cast iron
Ceramic glass		self-cleaning resistant up to 750°C
Door handle		steel handle with silicon sleeve
Wellness -umidifier in stainless steel		yes
Oven in stainless steel (LxWxH)	cm	no
Multifuoco System®		optional. 4 levels
Multifuoco System Plus		optional. 4 levels speed
Front air vents-orientable		yes - yes
Forced Convection kit		no
Total weight	Kg	

The availability of models may vary from Country to Country.