



OXFORD

Rational and creative. Oxford with its particular rounded shape immediately attracts attention especially when installed in the centre of a room. Its installation flexibility offers every possibility of organising your interior space as you want it.



GENERAL TECHNICAL CHARACTERISTICS

Natural heating distribution

Radiant, conduction and natural convection heating

Heating with Multifuoco System®

Optional forced ventilation kit with 4 speed settings with remote control. Air ducting up to 10 m

Structure

Inset 555T SL and door in steel, grate and hood in cast iron, firebox in Aluker®

Cladding

Enamelled steel

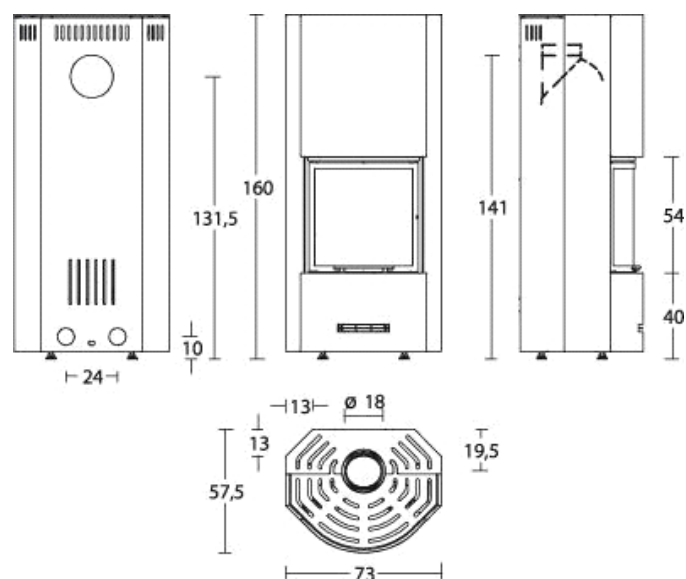
Air Glass System

Self-cleaning ceramic glass resistant up to 750°C

Easy Cleaning

Quick and easy maintenance, removable ash pan

TECHNICAL DRAWING



TECHNICAL DATA

Room heating capacity (min - max)	m ³	120 - 200
Nominal thermal efficiency	%	78,0
Rated heat output	kW	7,0
Consumption at rated heat output	Kg/h	2,3
Maximum heat output	kW	10,0
Maximum consumption		3,5
Dimensions WxDxH	cm	73 x 57,5 x 160
Cladding		acciaio verniciato
Front		acciaio verniciato
Firebox		acciaio
Primary and secondary air		primaria regolabile secondaria predeterminata
Air combustion kit		
Firebox		Aluker
Brazier		ghisa
Flue outlet Ø	cm	18 superiore o posteriore
Ash drawer		estraibile
Door		acciaio verniciato
Ceramic glass		resistente a 750°C autopulente
Door handle		acciaio verniciato
Wellness -umidifier in stainless steel		no
Oven in stainless steel (LxWxH)	cm	
Multifuoco System®		optional
Front air vents-orientable		si/si
Forced Convection kit		
Total weight	Kg	241

The availability of models may vary from Country to Country.



IMPORT
BENELUX